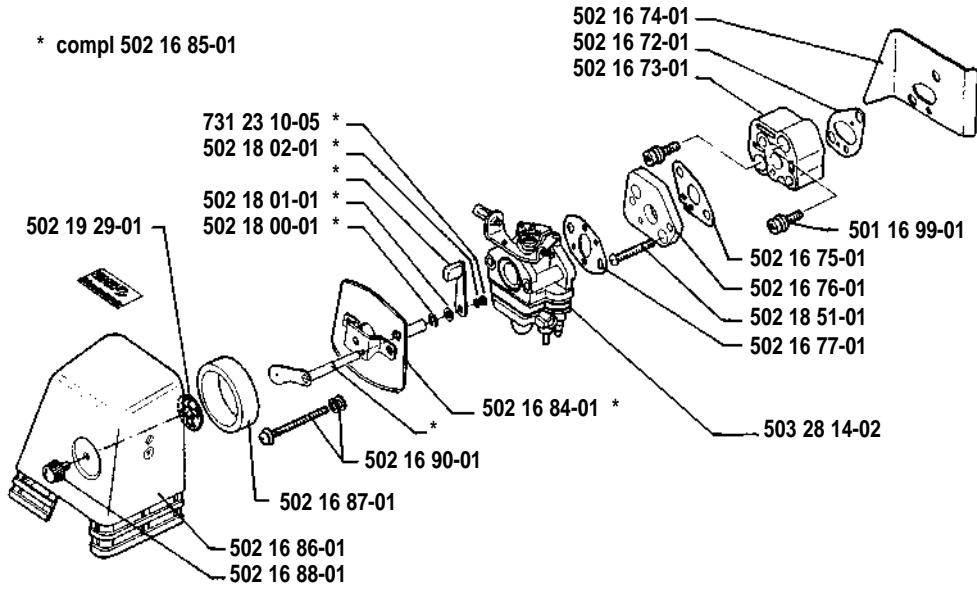
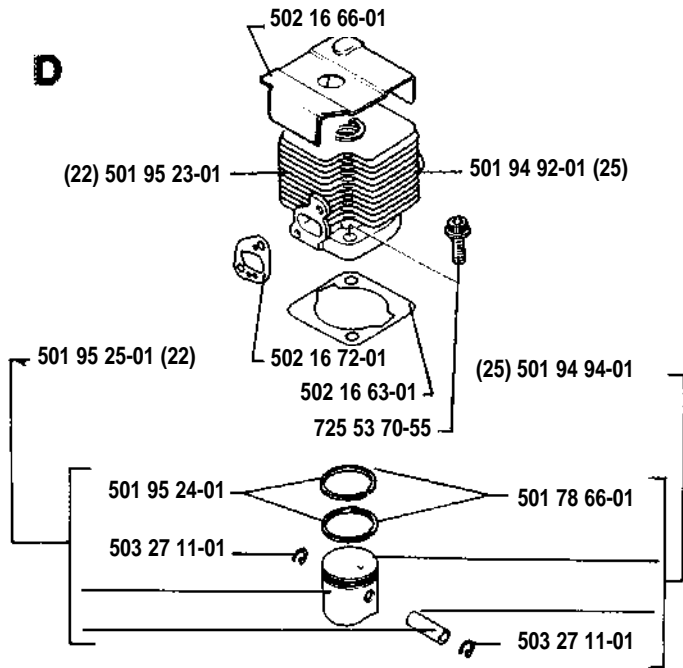


**C**

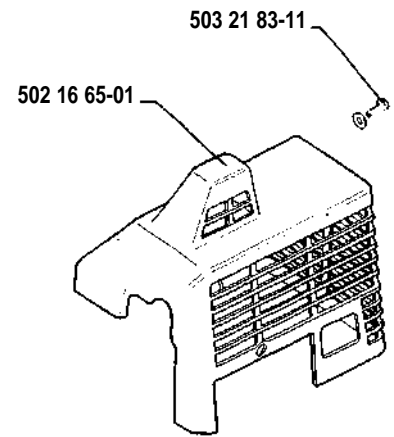
\* compl 502 16 85-01



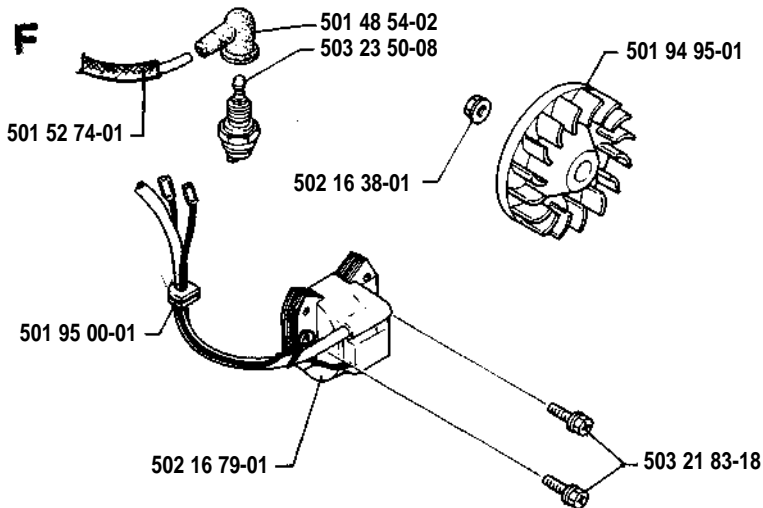
**D**



**E**

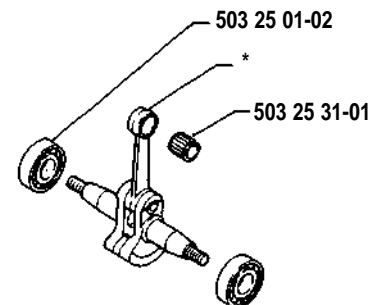


**F**

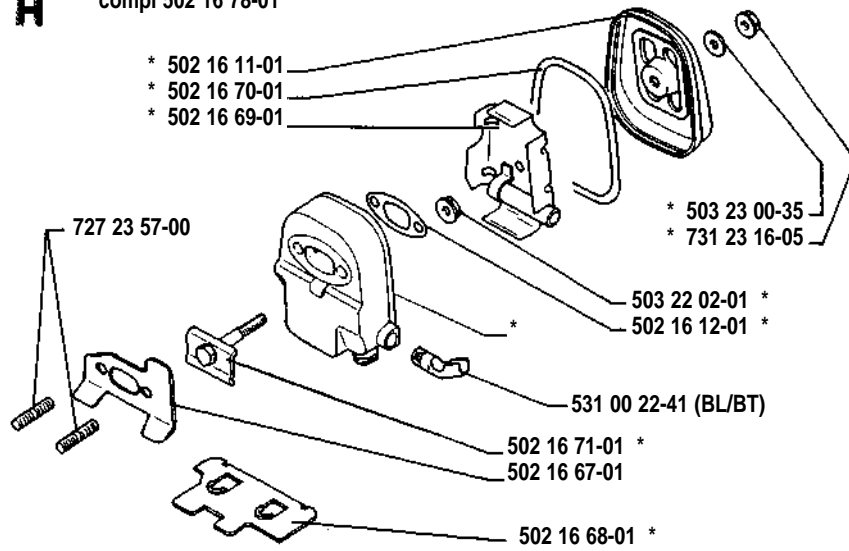


**G**

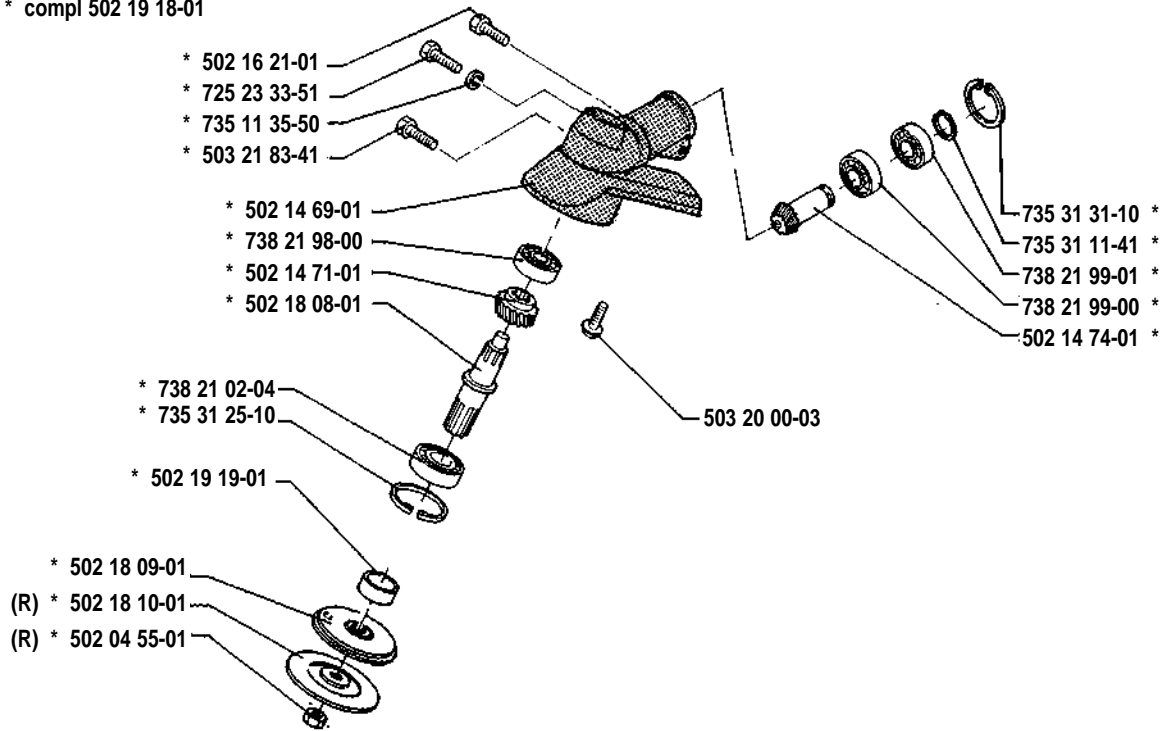
\* compl 501 94 96-01



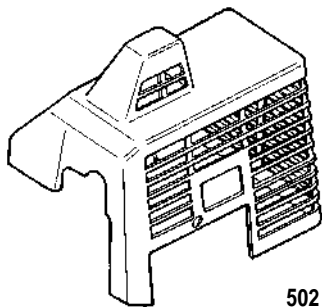
**H** \* compl 502 16 78-01



**J** \* compl 502 19 18-01



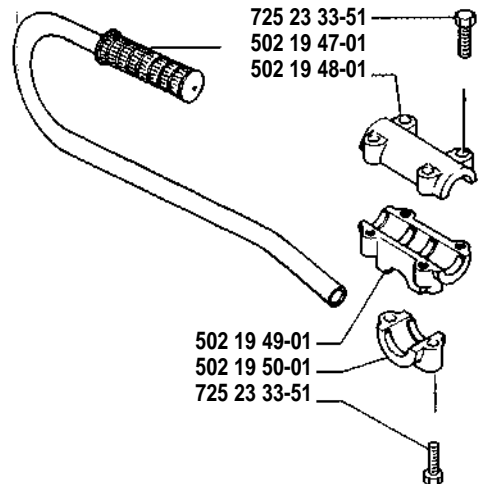
**P**



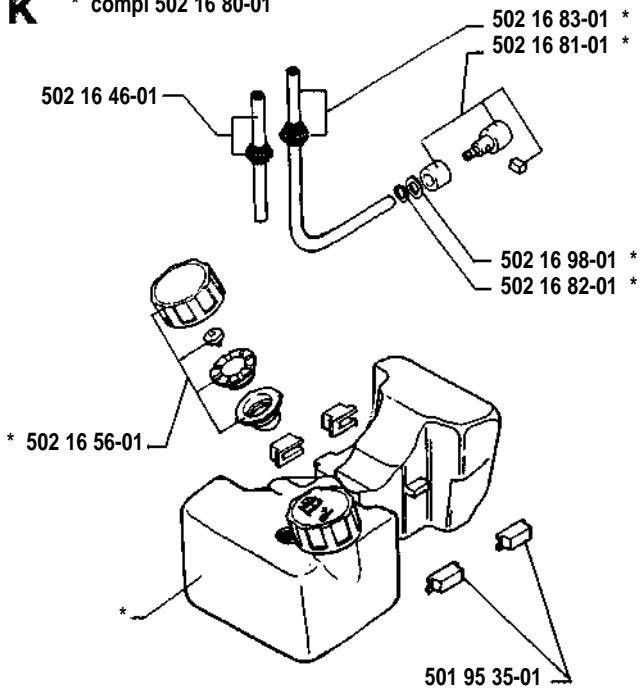
**SA**

502 16 91-01

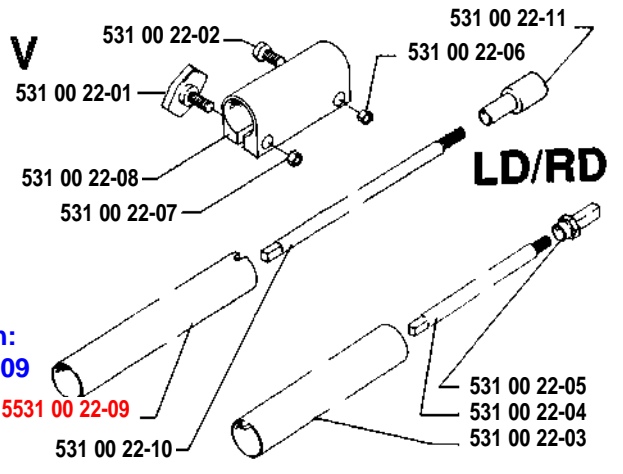
**S**



**K** \* compl 502 16 80-01



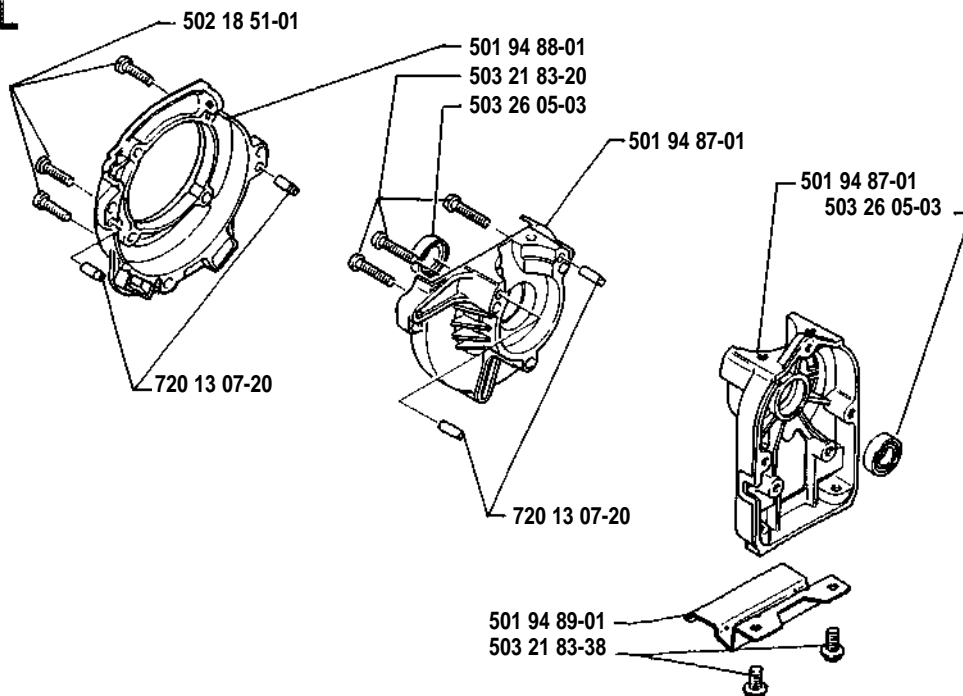
**V**



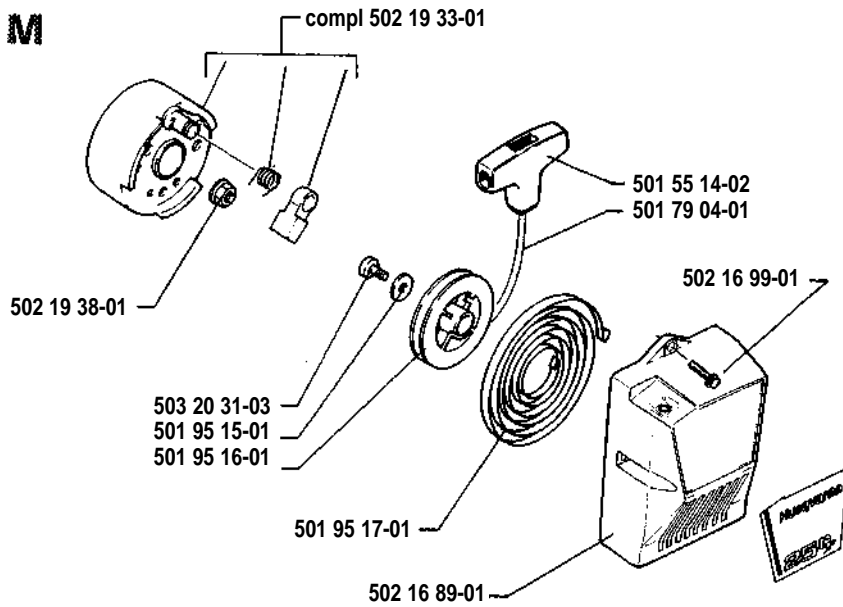
**Correction:**  
531 00 22-09

531 00 22-09

**L**

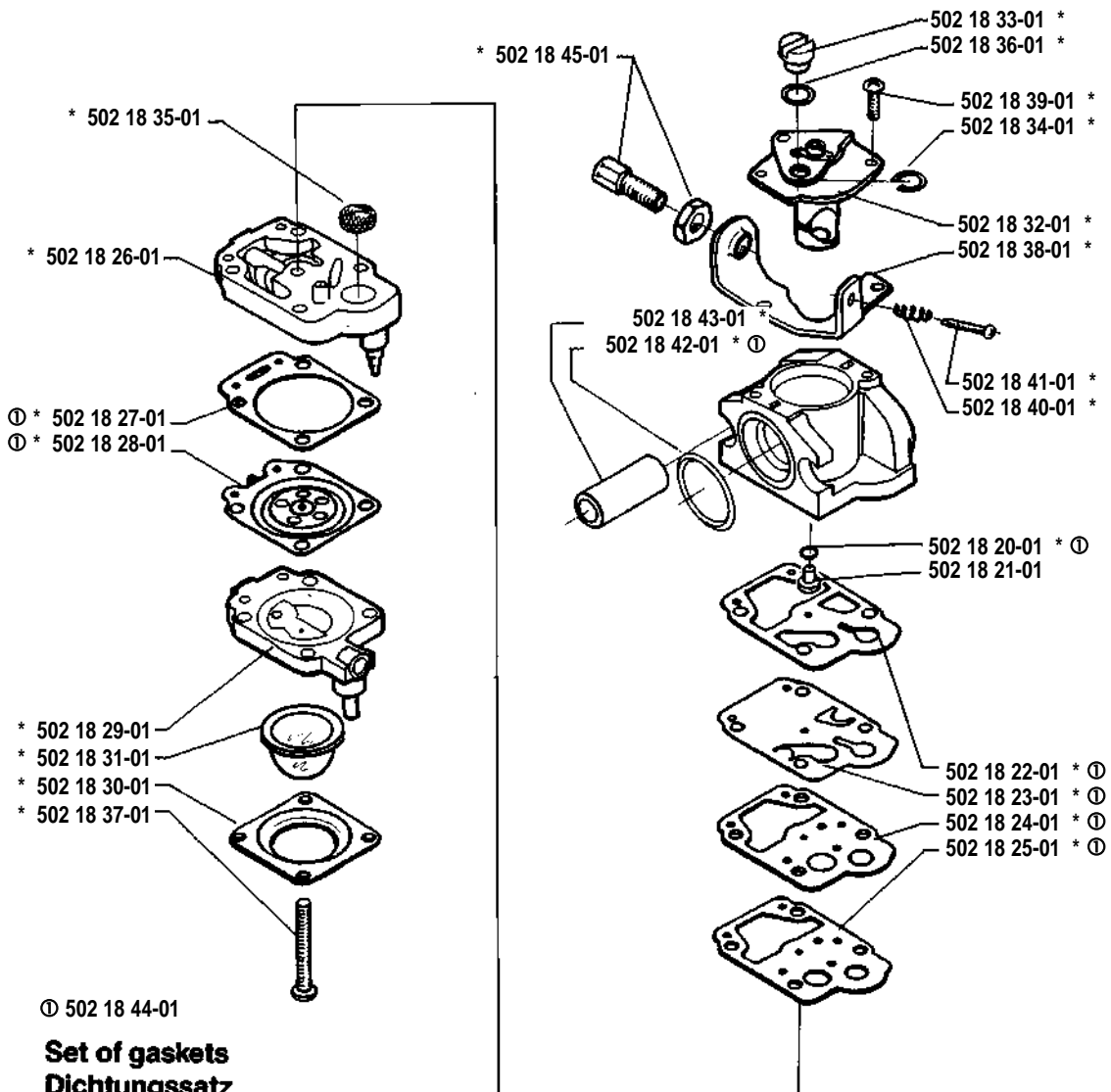


**M**



**N** \* compl 503 28 14-02

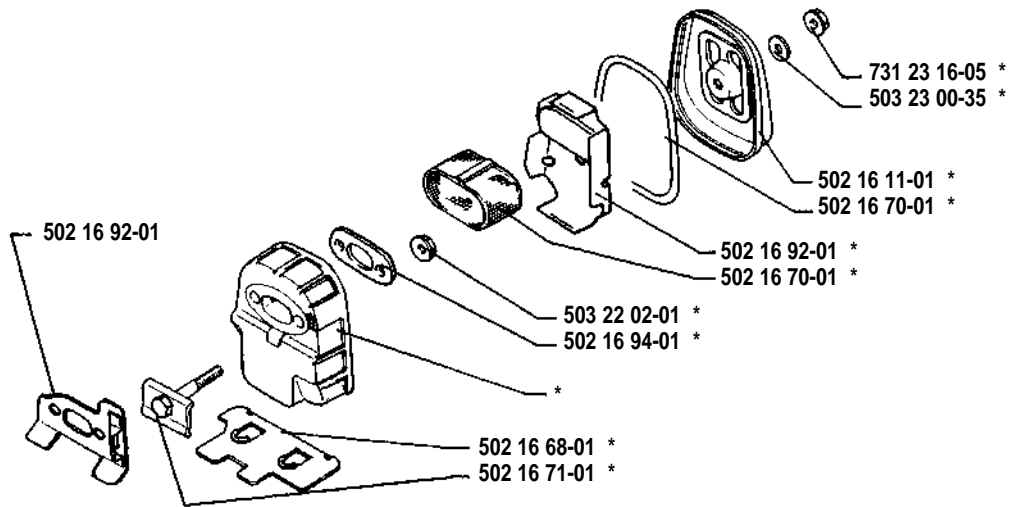
# Walbro WY 55



**Set of gaskets**  
**Dichtungssatz**  
**Jeu de joints**  
**Juego de juntas**  
**Packningssats**

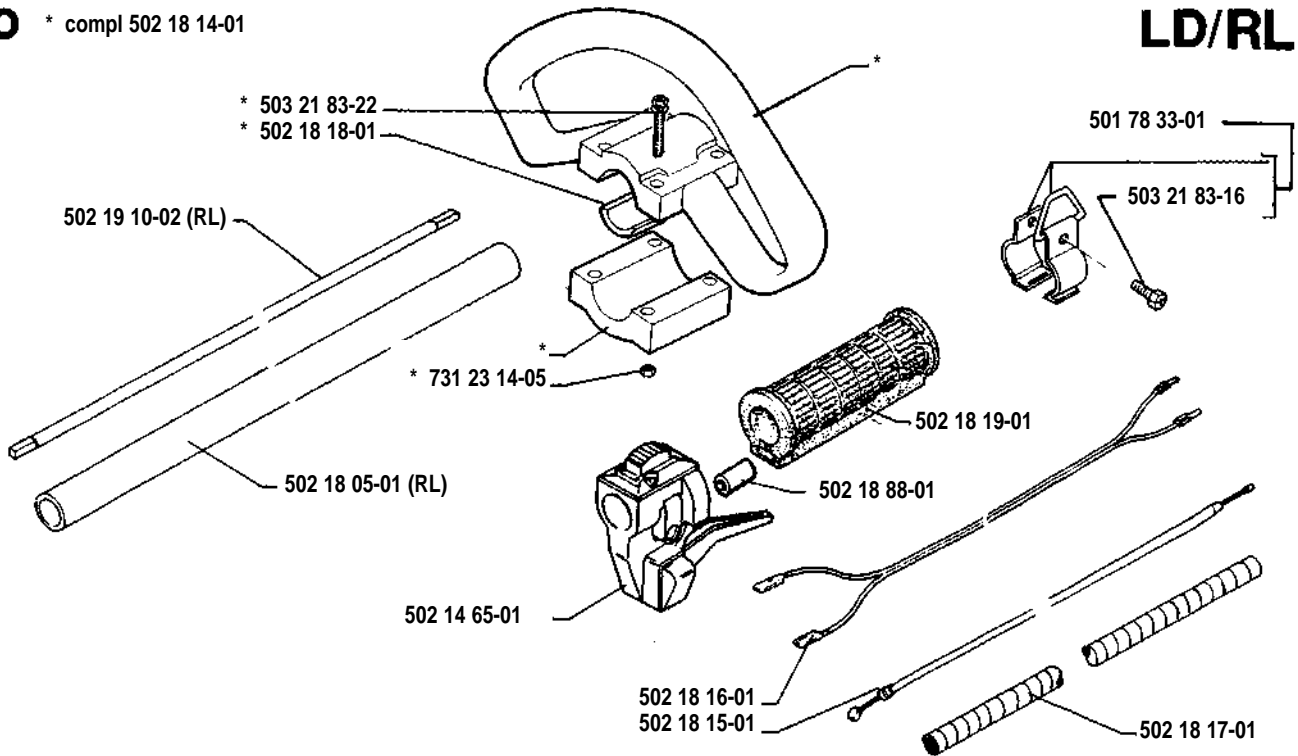
**R** \* compl 502 16 93-01

### SA (Spark arrestor)

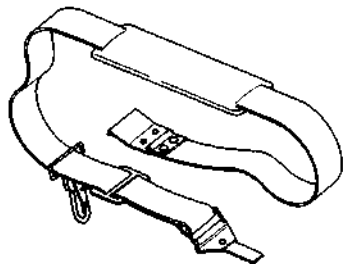


**O** \* compl 502 18 14-01

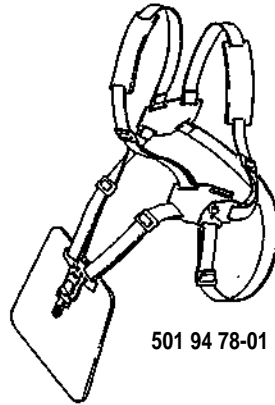
### LD/RL



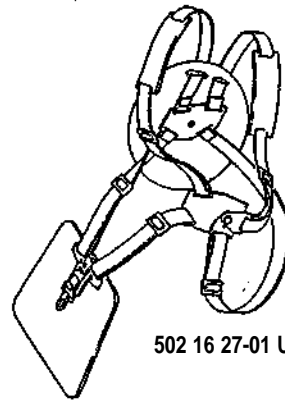
**Accessoires  
Zubehöre  
Accessoires  
Accesorios  
Tillbehör**



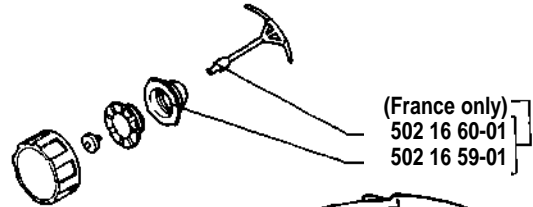
501 78 40-01



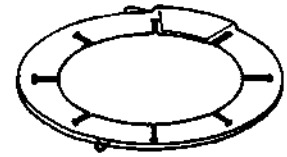
501 94 78-01



502 16 27-01 USA



(France only)  
502 16 60-01  
502 16 59-01



502 18 13-01



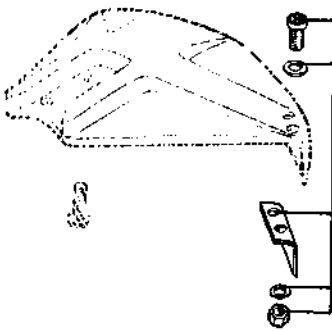
501 69 17-01



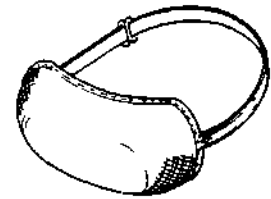
501 31 40-01



502 02 61-01



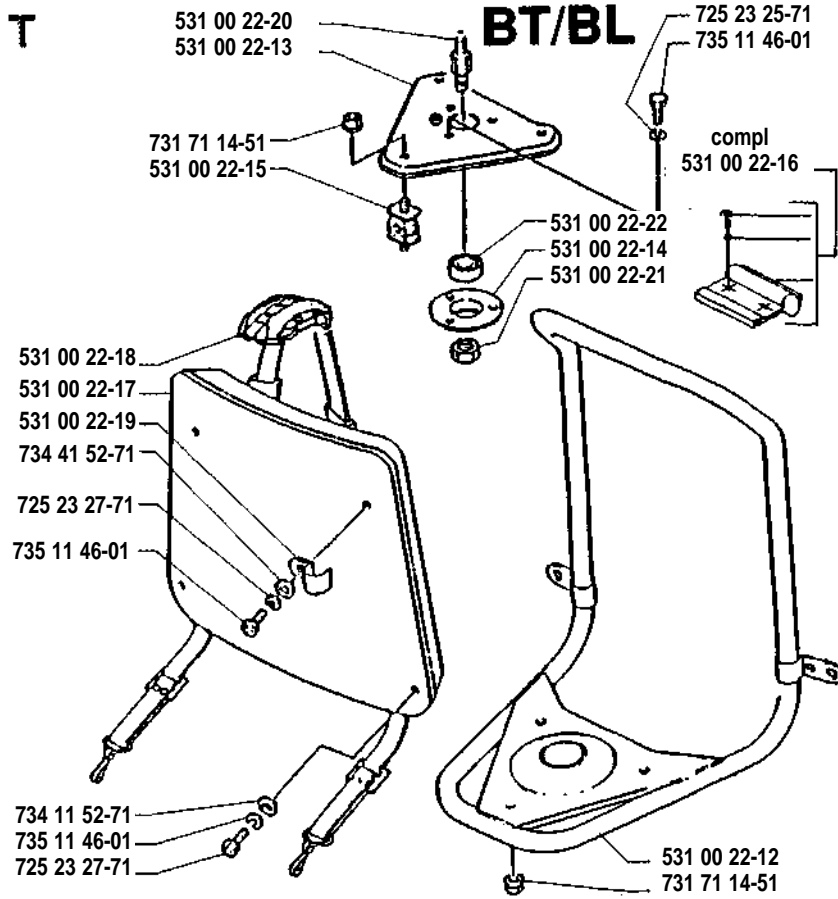
501 92 77-01



501 95 49-01

T

BT/BL



U

BT/BL

\* compl 531 00 22-23  
\*\* compl 531 00 22-29

